

# Product data sheet

## Automation technology - Data transmission

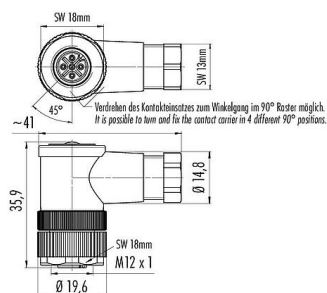


Product description	<b>M12 Female angled connector, 4.0-6.0 mm, screw clamp, IP67, UL</b>
Area	<b>M12-B series 715</b>
Part no.	<b>99 0430 05 04</b>

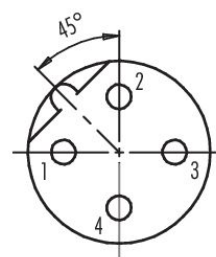
### Illustration



### Scale drawing



### Contact arrangement (Plug-in side)



You can find the component part drawing and assembly instructions on the next page.

### Technical data

#### General features

Part no.	<b>99 0430 05 04</b>
Connector design	Female angled connector
Type standard	DIN EN 61076-2-101
Version	Connector socket angled
Connector locking system	screw
Termination	screw clamp
Degree of protection	IP67
Cable outlet	4.0-6.0 mm
Twistability	90° (4 coding options)
Mechanical operation	> 500 Mating cycles
Weight (g)	13.29
Customs tariff number	85369010
Country of Origin	DE

#### Electrical parameters

Rated voltage	250 V
Rated impulse voltage	2500 V
Rated current	4.0 A
Pollution degree	3
Overvoltage category	II
Insulating material group	III

# Product data sheet

## Automation technology - Data transmission



Product description	<b>M12 Female angled connector, 4.0-6.0 mm, screw clamp, IP67, UL</b>
-	-
Area	<b>M12-B series 715</b>
Part no.	<b>99 0430 05 04</b>

### Material

Housing material	PA
Contact body material	PA
Contact material	CuZn (brass)
Contact plating	CuSnZn (Optalloy)
REACH SVHC	CAS 96-45-7 (Imidazolidine-2-thione) CAS 7439-92-1 (Lead)
SCIP number	cba830f8-01d6-47eb-8271-1c2e579ee542

### Authorization/approvals

Approvals	UL
-----------	----

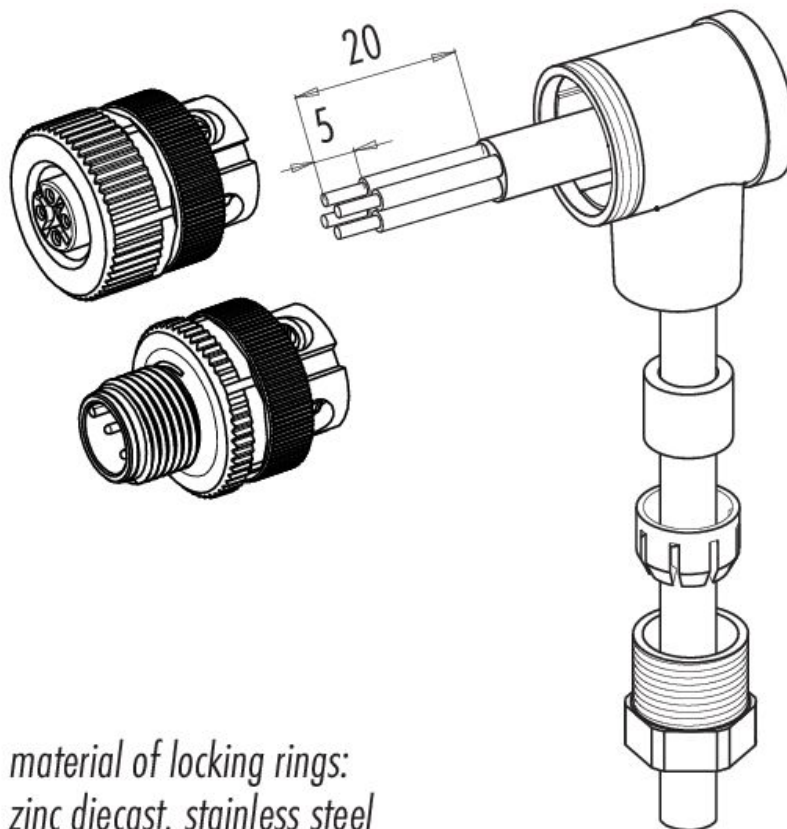
### Classifications

ETIM 9.0	EC002635
----------	----------

**Product data sheet**  
**Automation technology - Data transmission**

Product description	M12 Female angled connector, 4.0-6.0 mm, screw clamp, IP67, UL
-	-
Area	M12-B series 715
Part no.	99 0430 05 04

**Assembly instructions**

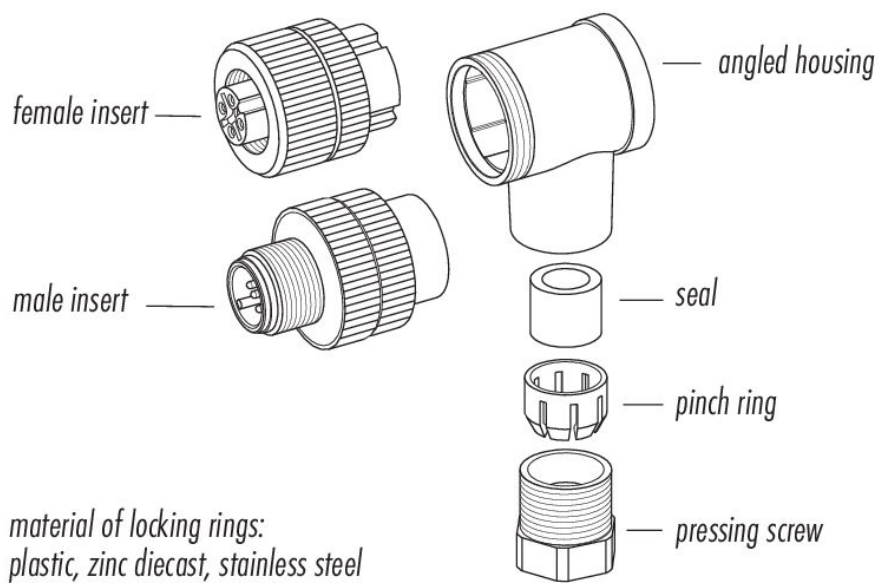


# Product data sheet

## Automation technology - Data transmission

Product description	M12 Female angled connector, 4.0-6.0 mm, screw clamp, IP67, UL
-	-
Area	M12-B series 715
Part no.	99 0430 05 04

### Component part drawing



Product description	<b>M12 Female angled connector, 4.0-6.0 mm, screw clamp, IP67, UL</b>
-	-
Area	<b>M12-B series 715</b>
Part no.	<b>99 0430 05 04</b>

## General Disclaim Notice

The connector must not be plugged or unplugged under load. Non-observance and improper use can result in personal injury.

The connectors have been developed for applications in plant engineering, control and electrical equipment construction. The user is responsible for checking whether the connectors can also be used in other areas of application.

To protect against unintentional opening of the connector, the thread between the housing and the connector head must be secured with a suitable cyanoacrylate adhesive when used in circuits with voltages dangerous to the touch. This does not apply to connectors used in SELV and PELV circuits according to IEC 61140 (EN 61140, VDE 0140-1).

Connectors which are used in circuits with voltages dangerous to the touch may only be installed and used by, or under the supervision of, persons with electrical engineering training, taking into account the applicable regulations and standards.

The user must take suitable safety precautions to ensure that the connector cannot be accidentally disconnected.

Plug connectors with enclosure protection IP67 and IP68 are not suitable for use under water. When used outdoors, the plug connectors must be protected separately against corrosion. For further information on the IP protection classes, please refer to the "Technical Information" download centre.

The plug connector is not suitable for mains voltages. Please observe the pollution degree and the overvoltage category. For further information, please refer to the download center "Technical Information".

To lock the cable connector with the device connector, the threaded ring is tightened "hand-tight" (approx. 60 cNm).

The user must take appropriate safety precautions to ensure that the connector cannot be accidentally disconnected. In addition, the user must ensure that the cable is suitably secured.